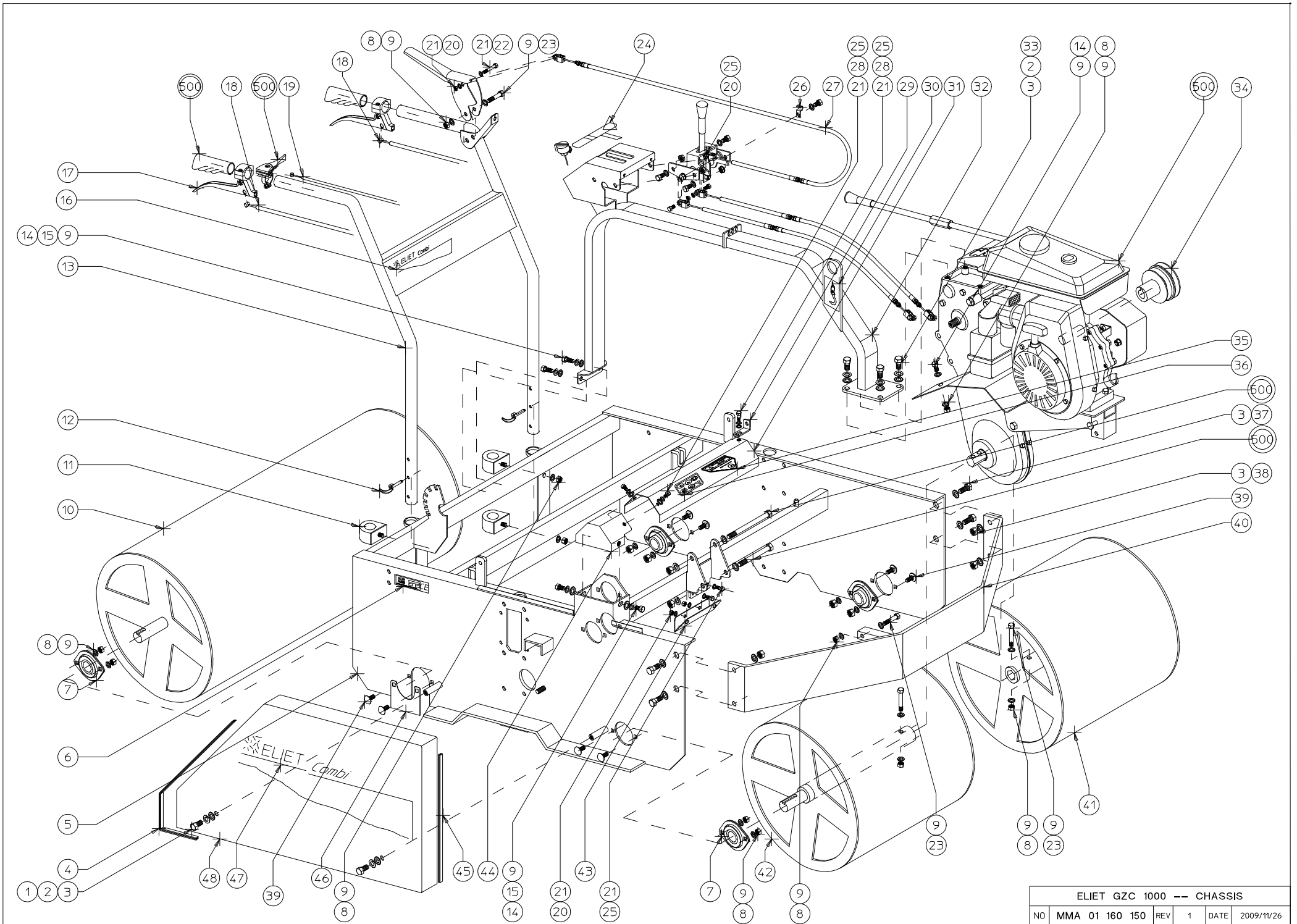


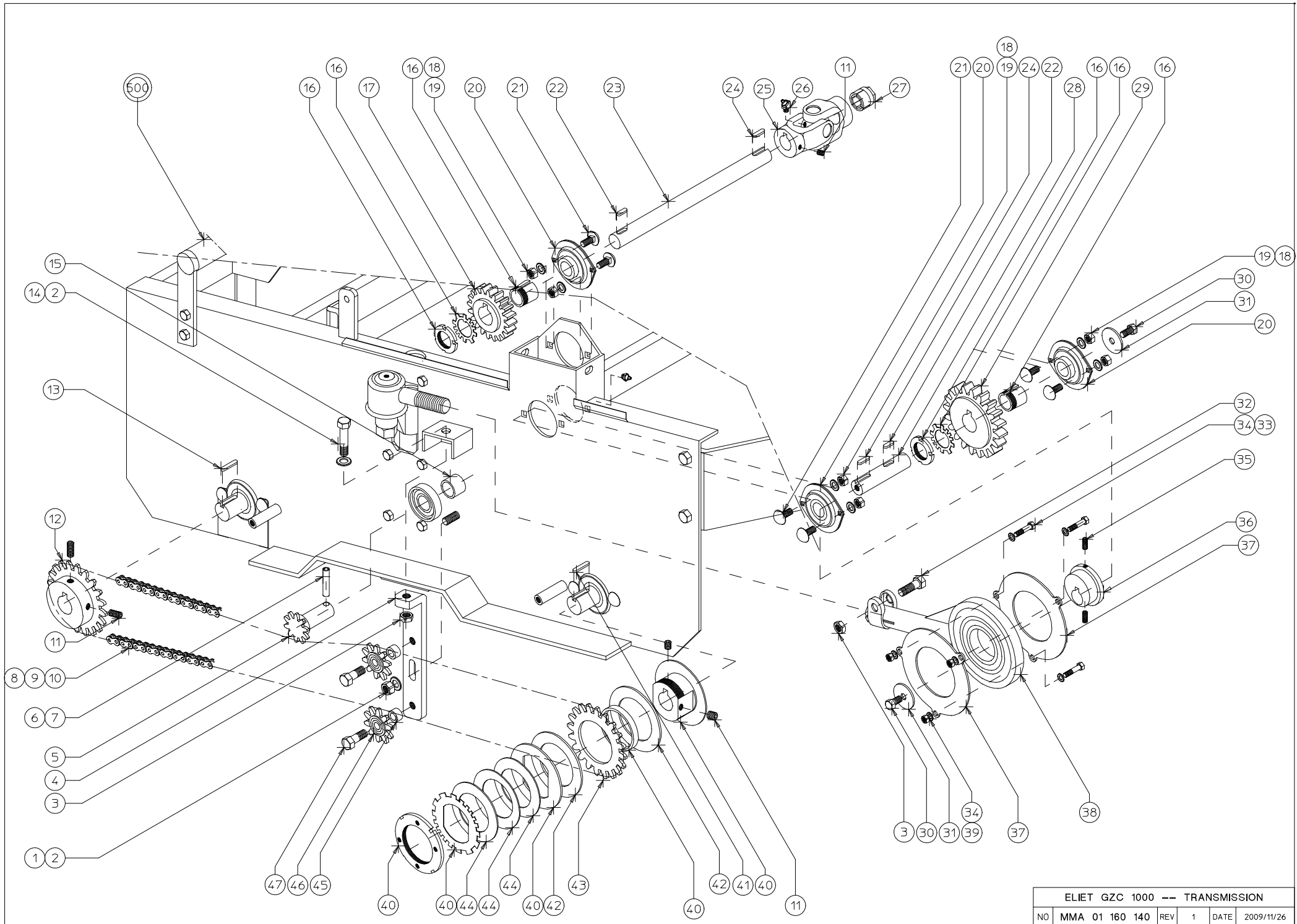
| | | | | | |
|------------------------------------|----------------|-----|---|------|------------|
| ELIET GZC 1000 -- GENERAL OVERVIEW | | | | | |
| NO | MMA 01 160 100 | REV | 1 | DATE | 2009/11/26 |

| # | Order nr | article description | quantity |
|-----|----------------|------------------------|----------|
| 500 | MMA 01 160 150 | chassis | 0 |
| 501 | MMA 01 160 140 | transmission | 0 |
| 502 | MMA 01 160 120 | seed container | 0 |
| 503 | MMA 01 160 130 | harrow + transmission | 0 |
| 504 | MMA 01 160 110 | engine unit + controls | 0 |



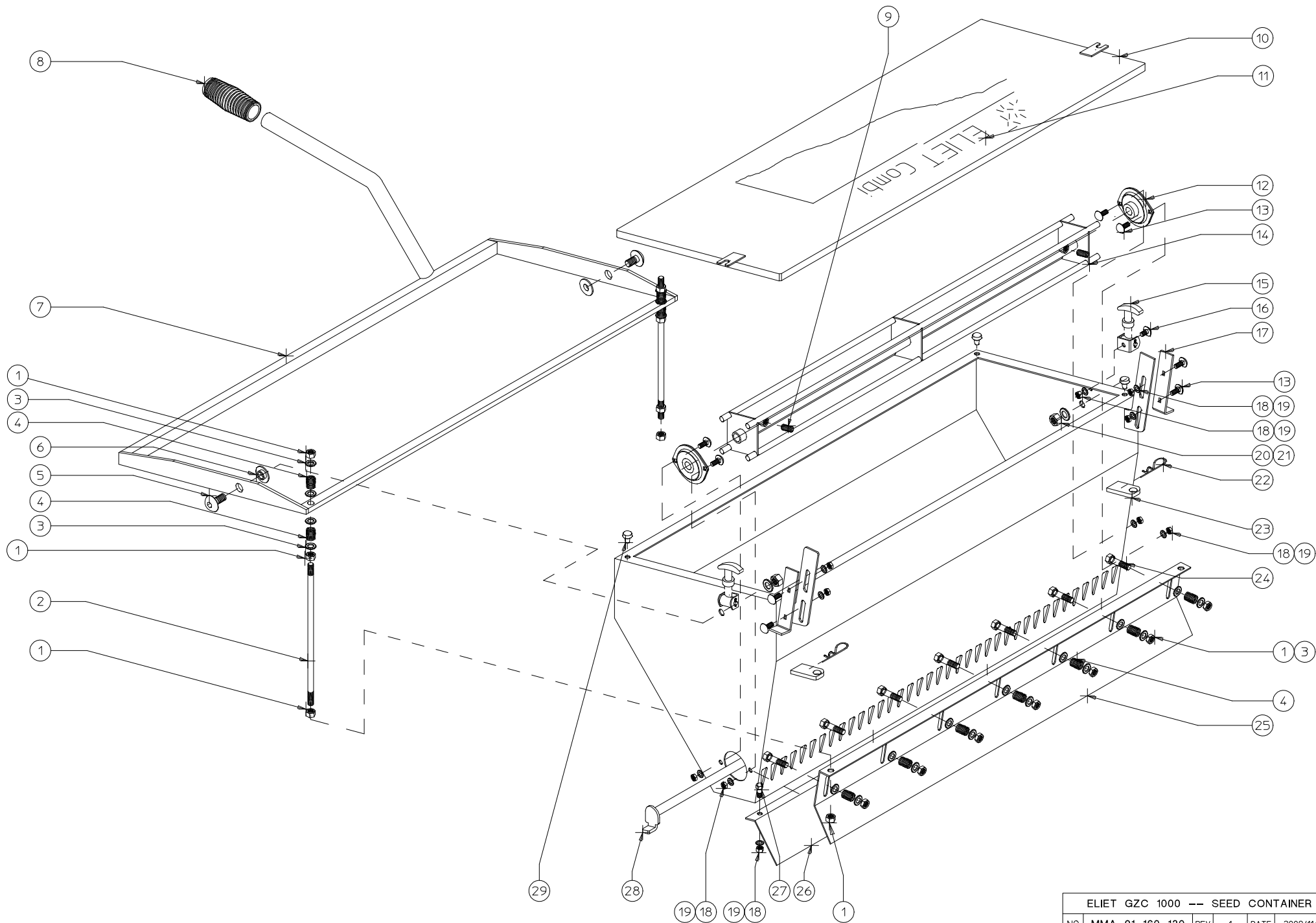
| ELIET GZC 1000 -- CHASSIS | | | | | | |
|---------------------------|----------------|-----|---|------|------------|--|
| NO | MMA 01 160 150 | REV | 1 | DATE | 2009/11/26 | |

| # | Order nr | article description | quantity |
|----|----------------|--|----------|
| 1 | BS 512 001 020 | bolt m10x20 din 933 | 2 |
| 2 | BS 533 001 000 | lock washer m10 din 127b | 6 |
| 3 | BS 531 001 000 | washer m10 din 125 | 14 |
| 4 | BR 000 910 560 | rubber u-moulding 560mm | 1 |
| 5 | MPA 01 160 010 | chassis | 1 |
| 6 | BQ 505 010 010 | identity sticker ce 120x30 | 0 |
| 7 | BL 801 102 500 | bearing + flanges aspfl 205 | 4 |
| 8 | BS 502 000 800 | self locking nut m8 din 985 | 18 |
| 9 | BS 531 000 800 | washer m8 din 125 | 26 |
| 10 | MPA 01 160 020 | back roller | 1 |
| 11 | BR 900 000 400 | antivibration blocks | 4 |
| 12 | BB 040 404 030 | locking pin 4,5x32 | 2 |
| 13 | MPA 01 160 190 | handlebars | 1 |
| 14 | BS 512 000 816 | bolt m8x16 din 933 | 5 |
| 15 | BS 533 000 800 | lock washer m8 din 127b | 4 |
| 16 | BQ 501 160 010 | sticker eliet seeder combi 165x55 | 1 |
| 17 | BN 312 216 500 | handle disengagement differential | 2 |
| 18 | BK 152 251 660 | cable disengagement differential | 2 |
| 19 | BK 153 151 820 | throttle control + cable | 1 |
| 20 | BS 502 000 600 | self locking nut m6 din 985 | 4 |
| 21 | BS 531 000 600 | washer m6 din 125 | 9 |
| 22 | BS 511 000 641 | bolt m6x45 din 931 | 1 |
| 23 | BS 511 000 842 | bolt m8x50 din 931 | 5 |
| 24 | BE 412 731 600 | maintenance meter | 1 |
| 25 | BS 512 000 616 | bolt m6x16 din 933 | 5 |
| 26 | BE 043 200 101 | cable clamp | 1 |
| 27 | BK 152 251 800 | cable clutch + emergency stop | 1 |
| 28 | BS 533 000 600 | lock washer m6 din 127b | 3 |
| 29 | MPA 01 160 290 | attaching part protection cardan shaft | 1 |
| 30 | BQ 501 060 090 | sticker hook attachment | 1 |
| 31 | MPA 01 160 280 | protection cardan shaft | 1 |
| 32 | MPA 01 160 120 | support commander unit | 1 |
| 33 | BS 512 001 025 | bolt m10x25 din 933 | 4 |
| 34 | BA 566 007 502 | pulley spb ii 75x70x20x5 | 1 |
| 35 | BQ 505 010 070 | safety sticker 100x80 (hand cuts) | 1 |
| 36 | BQ 505 010 050 | safety sticker 60x100 (pictogram) | 1 |
| 37 | BS 512 001 030 | bolt m10x30 din 933 | 4 |
| 38 | BS 502 001 000 | self locking nut m10 din 985 | 6 |
| 39 | BS 554 100 820 | bolt m8x20 din 603 | 8 |
| 40 | MPA 01 160 130 | weight support | 1 |
| 41 | MPA 01 160 030 | left front roller | 1 |
| 42 | MPA 01 160 040 | right front roller | 1 |
| 43 | MPA 01 160 110 | chassis bracket | 1 |
| 44 | MPA 01 160 270 | cover gear box | 1 |
| 45 | BR 000 910 340 | rubber u-moulding 340mm | 1 |
| 46 | MPA 01 160 420 | bearing cover | 1 |
| 47 | BQ 501 160 020 | sticker eliet seeder combi 430x110 | 1 |
| 48 | MPA 01 160 300 | transmission guard | 1 |



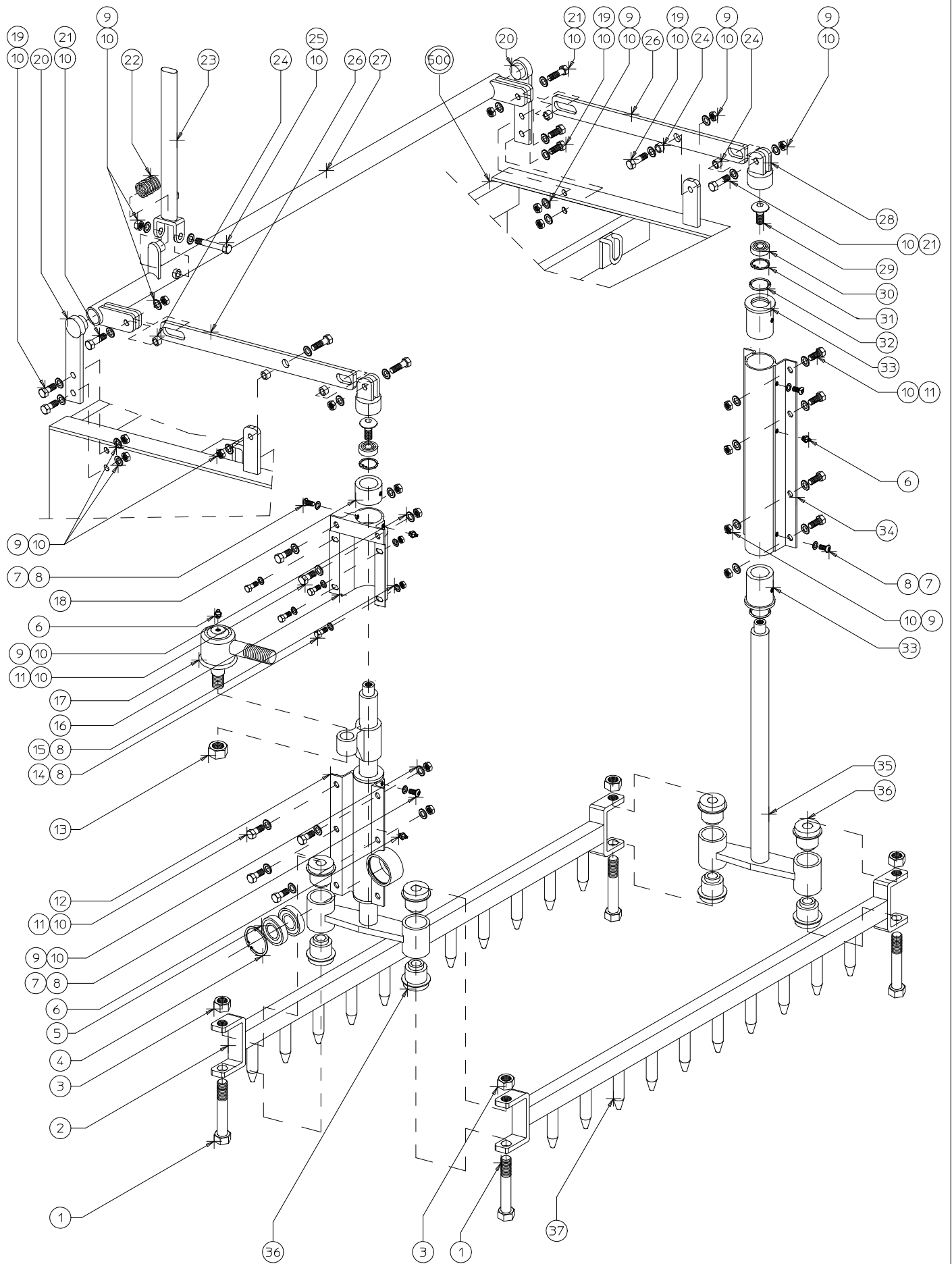
| ELIET GZC 1000 -- TRANSMISSION | | | | | | |
|--------------------------------|----------------|-----|---|------|------------|--|
| NO | MMA 01 160 140 | REV | 1 | DATE | 2009/11/26 | |

| # | Order nr | article description | quantity |
|----|----------------|--|----------|
| 1 | BS 502 001 000 | self locking nut m10 din 985 | 1 |
| 2 | BS 531 001 000 | washer m10 din 125 | 1 |
| 3 | BS 501 001 000 | nut m10 din 934 | 2 |
| 4 | MPA 01 160 200 | support chain tightener | 1 |
| 5 | BA 161 013 001 | sprocket simplex 3/8"x7/32" 13t | 1 |
| 6 | BB 120 050 400 | locking 5x40 din 1481 | 1 |
| 7 | BB 120 080 400 | locking 8x40 din 1481 | 1 |
| 8 | BA 101 182 020 | chain simplex 3/8"x7/32" 182l | 1 |
| 9 | BA 151 200 000 | connecting chain link simplex 3/8"x7/32" | 1 |
| 10 | BA 151 400 000 | connecting chain link simplex (1/2) 3/8"x7/32" | 1 |
| 11 | BS 023 000 808 | set screw m8x8 din 916 | 5 |
| 12 | BA 161 033 251 | sprocket simplex 3/8"x7/32" 33t | 1 |
| 13 | BB 341 080 730 | key 8x7x30 din 6880 | 1 |
| 14 | BS 512 001 041 | bolt m10x45 din 933 | 1 |
| 15 | MPA 01 160 260 | spacer controller seed gate | 1 |
| 16 | BB 502 230 500 | lock bush Ø20xm25 h-2305 | 2 |
| 17 | BA 602 003 501 | gear m2 35t h2305 | 1 |
| 18 | BS 531 000 800 | washer m8 din 125 | 6 |
| 19 | BS 502 000 800 | self locking nut m8 din 985 | 6 |
| 20 | BL 801 102 001 | bearing + flanges aspfl 204 | 3 |
| 21 | BS 554 100 820 | bolt m8x20 din 603 | 6 |
| 22 | BB 341 060 916 | key 6x9x16 din 6880 | 2 |
| 23 | MPA 01 160 240 | transmission shaft | 1 |
| 24 | BB 341 060 630 | key 6x6x30 din 6880 | 2 |
| 25 | BA 221 219 004 | shaft connector | 1 |
| 26 | BY 100 106 200 | grease fitting m6 45° din 71412 | 1 |
| 27 | BB 503 150 250 | trantorque Ø15/Ø25 | 1 |
| 28 | MPA 01 160 250 | shaft gear box | 1 |
| 29 | BA 602 004 801 | gear m2 48t h2305 | 1 |
| 30 | BS 512 000 820 | bolt m8x20 din 933 | 2 |
| 31 | BS 532 008 356 | washer m8x35x3 | 2 |
| 32 | BS 511 001 041 | bolt m10x45 din 931 | 1 |
| 33 | BS 511 000 635 | bolt m6x35 din 931 | 3 |
| 34 | BS 531 000 600 | washer m6 din 125 | 6 |
| 35 | BS 023 000 608 | set screw m6x8 din 916 | 2 |
| 36 | MPA 01 160 230 | eccentric | 1 |
| 37 | MPA 01 160 220 | cover plate eccentric | 2 |
| 38 | BR 900 000 320 | bearing excentric | 1 |
| 39 | BS 502 000 600 | self locking nut m6 din 985 | 3 |
| 40 | BA 240 109 000 | torque limiter (compl. unit) | 1 |
| 41 | BB 341 080 750 | key 8x7x50 din 6880 | 1 |
| 42 | BA 240 109 001 | torque limiter -- ferrodo | 2 |
| 43 | BA 161 033 600 | sprocket simplex 3/8"x7/32" 33t | 1 |
| 44 | BA 240 109 003 | pressure disk -2.110g | 3 |
| 45 | MPA 01 160 210 | spacer ring sprocket | 2 |
| 46 | BA 198 010 150 | sprocket simplex 3/8"x7/32" 15t + bearing | 2 |
| 47 | BS 512 001 030 | bolt m10x30 din 933 | 2 |



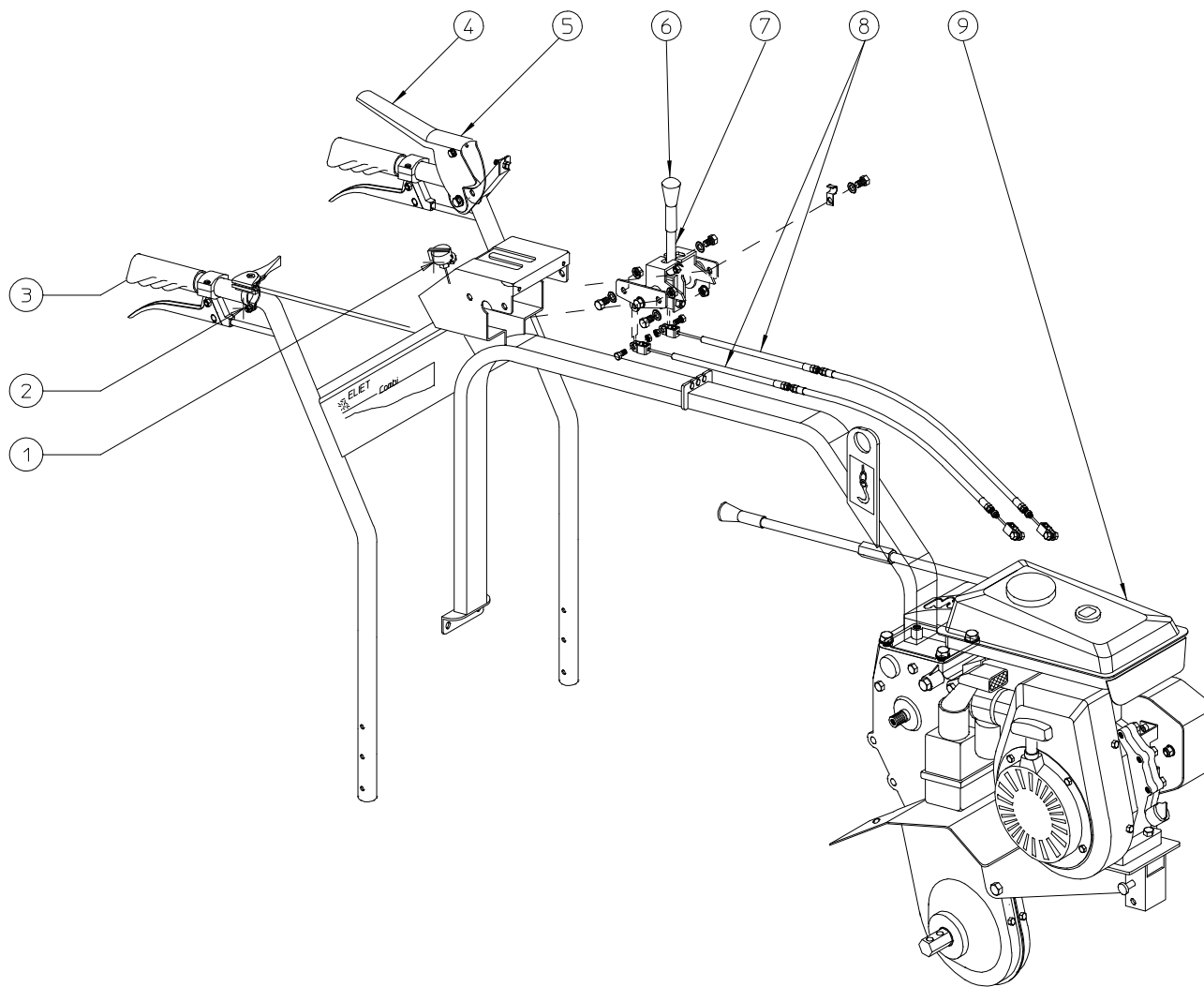
| ELIET GZC 1000 -- SEED CONTAINER | | | | | |
|----------------------------------|----------------|-----|---|------|------------|
| NO | MMA 01 160 120 | REV | 1 | DATE | 2009/11/26 |

| # | Order nr | article description | quantity |
|----|----------------|--|----------|
| 1 | BS 502 000 800 | self locking nut m8 din 985 | 15 |
| 2 | BS 581 000 825 | stud m8x250 din 975 | 2 |
| 3 | BS 531 000 800 | washer m8 din 125 | 15 |
| 4 | BV 911 000 010 | spring 14x2x16 | 11 |
| 5 | BS 522 501 025 | screw m8x60 iso 7380 | 2 |
| 6 | BR 112 100 600 | nylon bushing with collar (10/13.5/25x6/2.5) | 2 |
| 7 | MPA 01 160 380 | lever seed flow control | 1 |
| 8 | BN 230 100 400 | rubber grip | 1 |
| 9 | BS 023 000 808 | set screw m8x8 din 916 | 2 |
| 10 | MPA 01 160 350 | cover | 1 |
| 11 | BQ 501 160 020 | sticker eliet seeder combi 430x110 | 1 |
| 12 | BL 801 101 200 | bearing + flanges aspfl 201 | 2 |
| 13 | BS 554 100 616 | bolt m6x16 din 603 | 8 |
| 14 | MPA 01 160 330 | mixer | 1 |
| 15 | BO 230 010 650 | latch | 2 |
| 16 | BS 522 500 612 | screw m6x12 iso 7380 | 2 |
| 17 | MPA 01 160 390 | plate for seed flow setting | 2 |
| 18 | BS 531 000 600 | washer m6 din 125 | 14 |
| 19 | BS 502 000 600 | self locking nut m6 din 985 | 14 |
| 20 | BS 531 001 000 | washer m10 din 125 | 2 |
| 21 | BS 502 001 000 | self locking nut m10 din 985 | 2 |
| 22 | BB 040 102 040 | hairpin cotter 2mm din 11024 | 2 |
| 23 | MPA 01 160 320 | seed container | 1 |
| 24 | BS 512 000 835 | bolt m8x35 din 933 | 7 |
| 25 | MPA 01 160 360 | valve | 1 |
| 26 | MPA 01 160 370 | seed guide | 1 |
| 27 | BS 512 000 616 | bolt m6x16 din 933 | 4 |
| 28 | MPA 01 160 340 | shaft mixer | 1 |
| 29 | BR 602 006 151 | rubber bumper | 4 |



| ELIET GZC 1000 -- HARROW | | | | | | |
|--------------------------|----------------|-----|---|------|------------|--|
| NO | MMA 01 160 130 | REV | 1 | DATE | 2009/11/26 | |

| # | Order nr | article description | quantity |
|----|----------------|----------------------------------|----------|
| 1 | BS 511 001 449 | bolt m14x90 din 931 | 4 |
| 2 | MPA 01 160 100 | harrow 11 teeth | 1 |
| 3 | BS 501 901 400 | nut m14 din 439 | 4 |
| 4 | BB 002 000 420 | retaining ring 42 din 472 | 1 |
| 5 | BL 002 004 203 | bearing 6004 zz | 2 |
| 6 | BY 100 106 100 | grease fitting m6 din 71412 | 4 |
| 7 | BS 522 500 612 | screw m6x12 iso 7380 | 5 |
| 8 | BS 531 000 600 | washer m6 din 125 | 13 |
| 9 | BS 502 000 800 | self locking nut m8 din 985 | 27 |
| 10 | BS 531 000 800 | washer m8 din 125 | 54 |
| 11 | BS 512 000 820 | bolt m8x20 din 933 | 16 |
| 12 | MPA 01 160 060 | bearing housing (right) complete | 1 |
| 13 | BS 500 041 600 | self-locking nut m16 din 985 | 1 |
| 14 | BS 512 000 620 | bolt m6x20 din 933 | 4 |
| 15 | BS 502 000 600 | self locking nut m6 din 985 | 4 |
| 16 | MPA 01 160 070 | bearing housing (right) | 1 |
| 17 | BA 231 011 600 | elastic joint m16 | 1 |
| 18 | BR 910 000 090 | nylon bushing | 1 |
| 19 | BS 512 000 825 | bolt m8x25 din 933 | 6 |
| 20 | MPA 01 160 160 | bracket hinge depth control | 2 |
| 21 | BS 511 000 835 | bolt m8x35 din 931 | 4 |
| 22 | BV 916 000 010 | spring 20x2,5x37 | 1 |
| 23 | MPA 01 160 180 | lever depth control | 1 |
| 24 | MPA 01 160 430 | spacer bush | 6 |
| 25 | BS 511 000 844 | bolt m8x60 din 931 | 1 |
| 26 | MPA 01 160 150 | bar depth control | 2 |
| 27 | MPA 01 160 170 | bell crank depth control | 1 |
| 28 | MPA 01 160 140 | twisting bracket | 2 |
| 29 | BS 522 501 025 | screw m8x60 iso 7380 | 2 |
| 30 | BL 001 002 603 | bearing 6000 2z | 2 |
| 31 | BB 002 000 260 | retaining ring 26 din 472 | 2 |
| 32 | BH 802 024 300 | o-ring Ø24.2 x 3 | 2 |
| 33 | BR 910 000 080 | nylon bushing | 2 |
| 34 | MPA 01 160 050 | bearing housing (links) | 1 |
| 35 | MPA 01 160 080 | t-shaft (left) | 1 |
| 36 | BR 601 130 200 | vibration damper | 8 |
| 37 | MPA 01 160 090 | harrow 10 teeth | 1 |



| | | | | | |
|-------------------------------------|----------------|-----|---|------|------------|
| ELIET GZC -- ENGINE UNIT & CONTROLS | | | | | |
| NO | MMA 01 160 110 | REV | 1 | DATE | 2009/11/26 |

| # | Order nr | article description | quantity |
|---|----------------|----------------------------|----------|
| 1 | KU 61592-55210 | on-off switch | 1 |
| 2 | KU 00105-42920 | throttle control handle | 1 |
| 3 | KU 00108-41420 | hand grips | 2 |
| 4 | KU 00108-41630 | clutch handle | 1 |
| 5 | KU 00109-42150 | clutch handle | 1 |
| 6 | KU 00108-23270 | grip lever belt tightener | 1 |
| 7 | KU 00109-42140 | lever belt tightener | 1 |
| 8 | KU 00109-42210 | cable coupling | 2 |
| 9 | BM 213 106 500 | kubota engine-gearbox unit | 1 |